

GENOVATION

Computer Input Devices

17741 Mitchell North
Irvine, CA 92614 USA
Phone: (949) 833-3355 Fax: (949) 833-0322 Sales: (800) 822-4333
www.genovation.com sales@genovation.com

Magnetic Card Reader (M)

For use with magnetic credit, ATM, and specialty cards

Available in MiniTerm 905, 906, 907 & 910 models

Description:

Genovation offers a full-featured magnetic card reader module option within the MiniTerm. This allows a MiniTerm to scan all magnetically encoded cards with track 1 and/or track 2 data. These cards include credit cards, ATM cards, and specialized cards. When swiped, the recorded data is read, decoded and sent out via Serial (RS232), USB virtual COM port, or USB HIB keyboard formats.

Specifications:

- o Recording Method: Two-Frequency coherent phase (F2F)
- o Speed: Card reading speed may vary thru the unit as follows
3-125 ips @ 75bpi, or 3050 ips @ 210 bpi
- o Life cycles: 300,000 passes
- o Number of Tracks: (2), Reads standard track 1 and track 2 data
- o Operating Temp: -30 to 70 c
- o Operating Humidity: 10% to 90% relative humidity
- o Supported standards: ANSI/ISO 7810, 7811, 7812, 7813

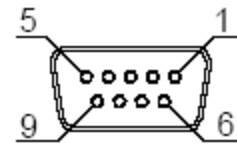
This magnetic stripe reader is well designed and constructed with high quality components. It conforms to ISO 7810-7813 standards and is designed for use in access control, retail and time attendance applications, etc. The TTL output allows the reader to be universally accepted by most decoders. The built-in decoder is an advanced and versatile decoding facility which works with variety of computer interfaces.



RS-232 Keyboard Interface

DB9 Female with Power Lead

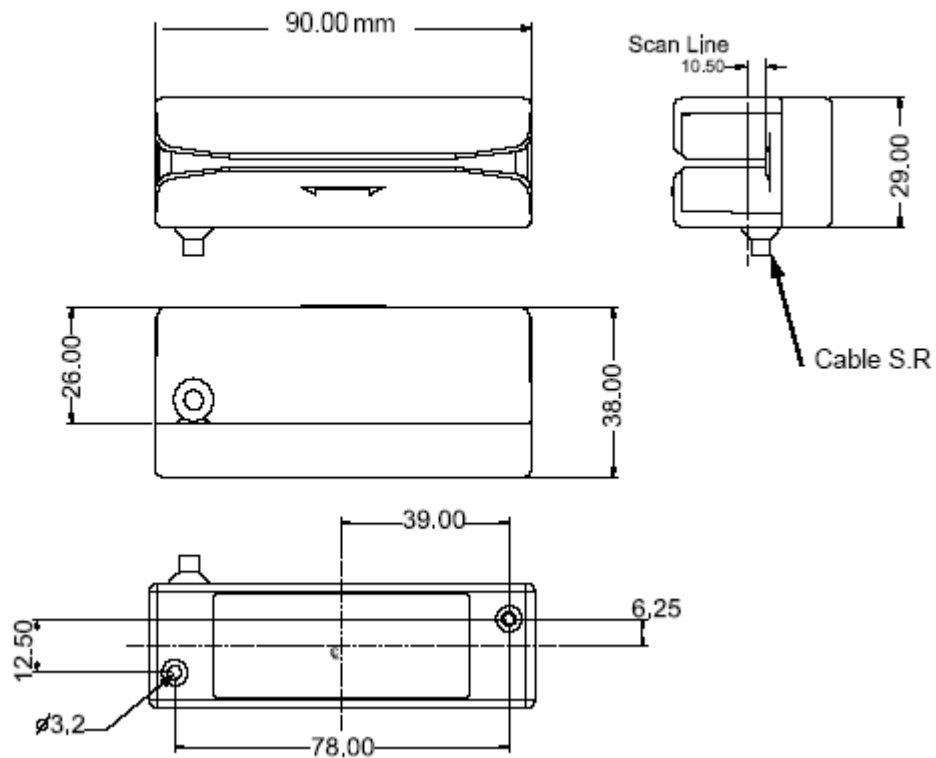
Pin No.	Function
2	TXD
3	RXD
5	GND
7	CTS
8	RTS
Power Lead	Vcc (+5V)



DB 9 Female



Mechanical drawing



Performance

Read/Write	Read
Scan Speed	100 - 1000 mm / sec (3.9 - 39 inch / sec)
Direction	Bi-direction
Life Cycle	Approx. 300,000 passes(1,000,000passes is optional)

Environmental

Operating Temperature	0 °C to 50 °C (32 °F to 122 °F)
Storage Temperature	-20 °C to 70 °C (-4 °F to 158 °F)
Relative Humidity	20% to 95% (Non-condensing)

Physical Characteristics

Weight	
Body Weight	240 g (8.47 oz)
Cover Weight	16 g (0.56 oz)
Cable Weight	Approx. 70 g (2.5 oz)
Material	PC&ABS
Cable Length	150 mm (5.91 inch)
Decorder Board Weight	11 g (0.39 oz)
Dimension	90.00 mm X29.00 mm X 38.00 mm